

Häcker

kitchen.germanMade.

Systemat/SystematART/One Line (planning & construction)



Training content

1. Overview
2. Systemat
3. SystematART
4. OneLine
5. Open Discussion & Questions



1. Overview

Häcker
kitchen.germanMade.



Remember

Häcker
kitchen.german Made.



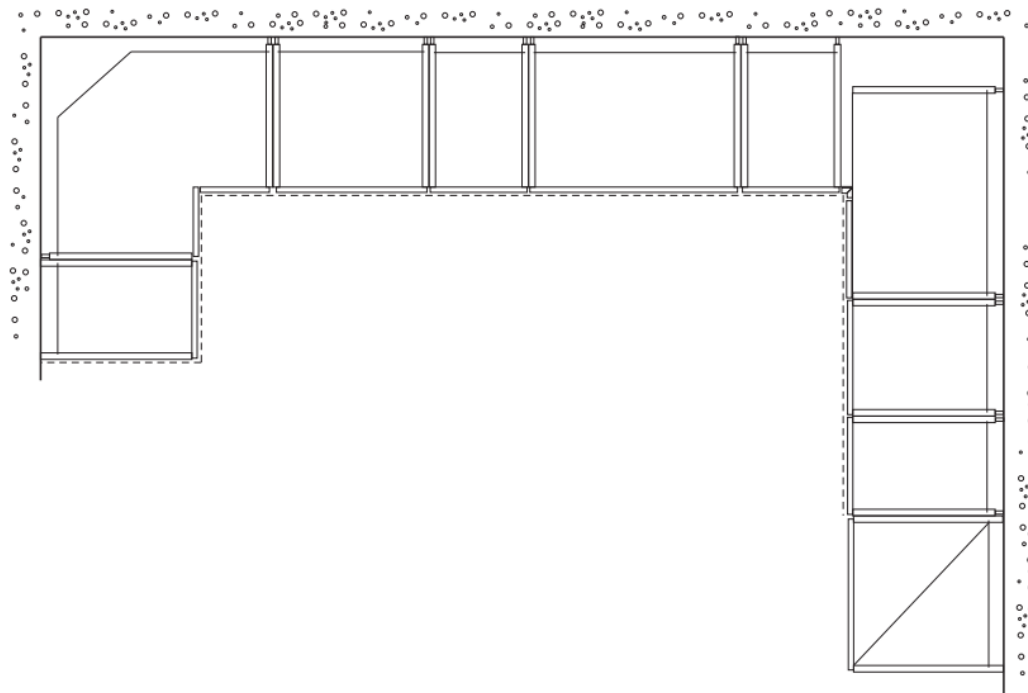
systemat
Our product line with handles

systematART
Our handleless product line



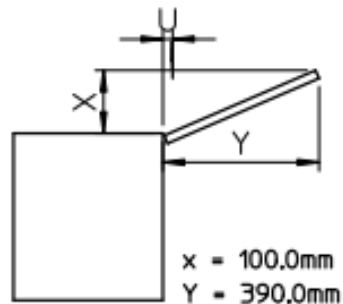
Planning and installation

- Cabinets are always pulled off the wall by 50mm (Systemat and SystematART)
 - To achieve 24" (610mm) depth
 - Gap between carcass and wall can be closed with extensions of both carcass sides from 22,05" to 25,98" (56cm – 66cm)
- Our kitchens are always planned from left to right, beginning with base and tall cabinets and then moving to the wall cabinets

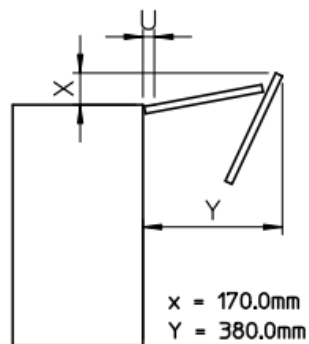


Open angle collision

- Please watch out for ceiling collisions while planning your kitchen



Flap door
390mm carcase height
386mm front height
U = max. 23mm



Folding lift-up doors
650mm carcase height
2x 321mm front height
U = max. 23mm

X dimension can be reduced with WB104 open angle limitation to 110mm

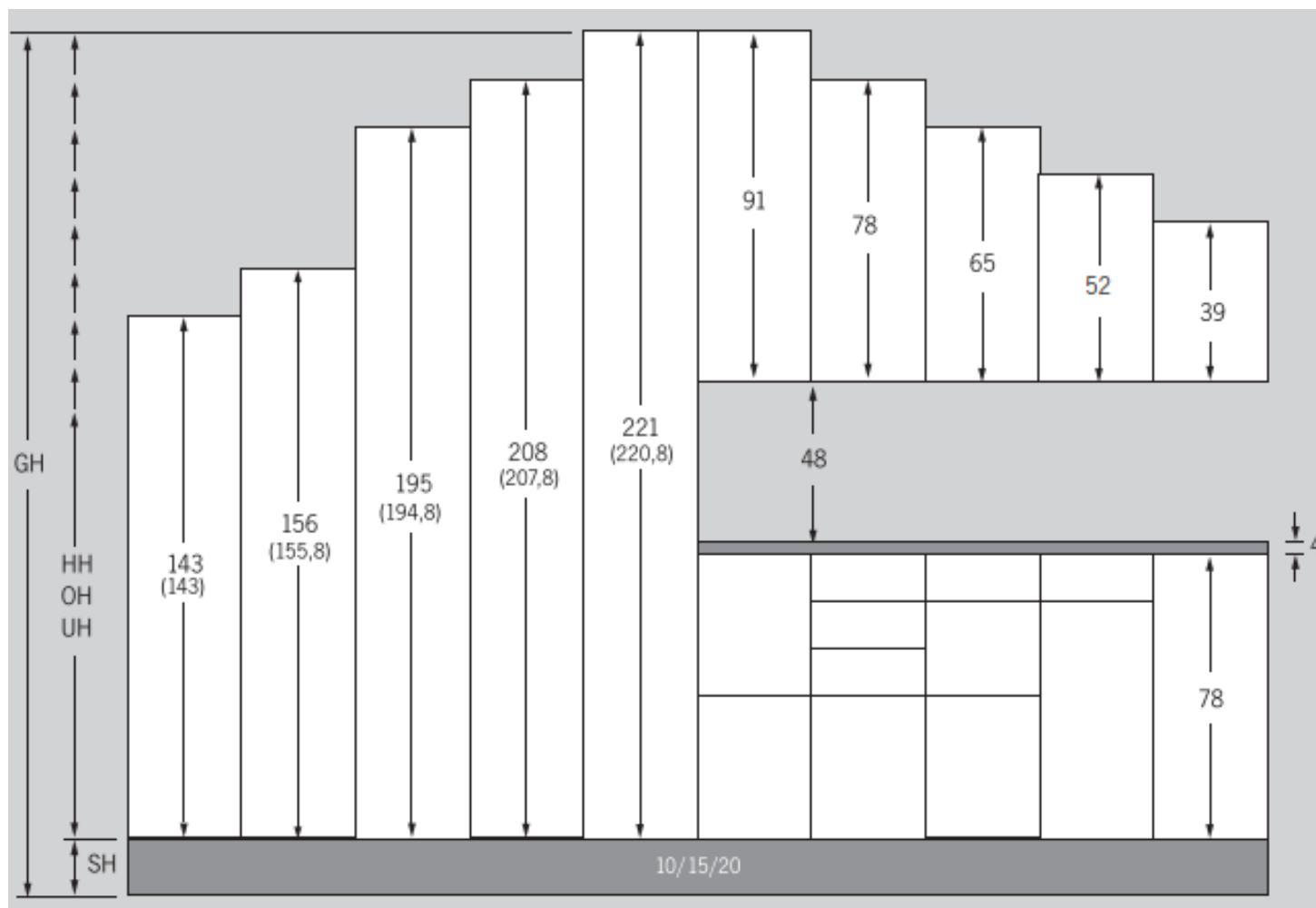
2. Systemat

Häcker
kitchen.germanMade.



Systemat standard heights

- systemat standard base unit height 78 cm (= 30.71")



Base cabinets:

78 cm = 30.71"

Tall cabinets:

143 cm = 56.3"

156 cm = 61.42"

195 cm = 76.77"

208 cm = 81.89"

221 cm = 87"

Wall cabinets:

39 cm = 15.35"

52 cm = 20.47"

65 cm = 25.59"

78 cm = 30.71"

91 cm = 35.83"

GH = Total height incl. plinth height

HH = Tall unit height

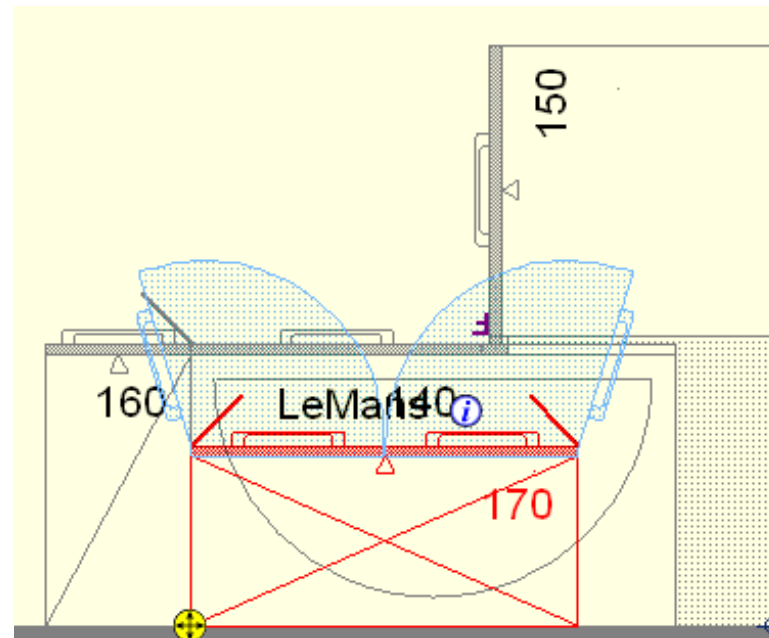
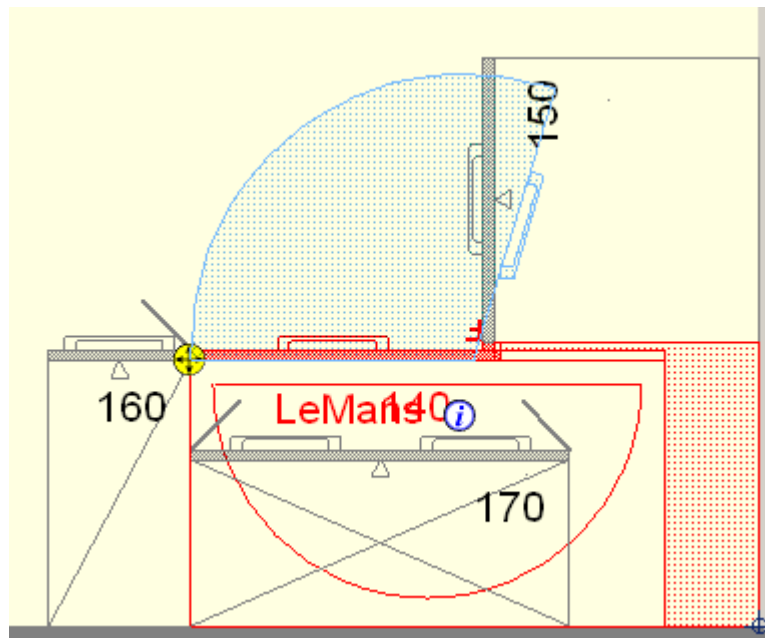
OH = Wall unit height

UH = Base unit height

SH = Plinth height

Handle clash

- Please watch out for handle clashes while planning your kitchen



- Corner solutions
- Wall units next to tall units or towards the wall
 - Examples above show handle clashes, full opening will not be possible for wall unit, LeMans cannot be used
 - Solution: use front filler or side panels

3. SystematART

Häcker
kitchen.germanMade.



Planning and installation

- Special solutions for SystematART end of row cabinets

1. Visible carcass side (cut out)



2. Side panel



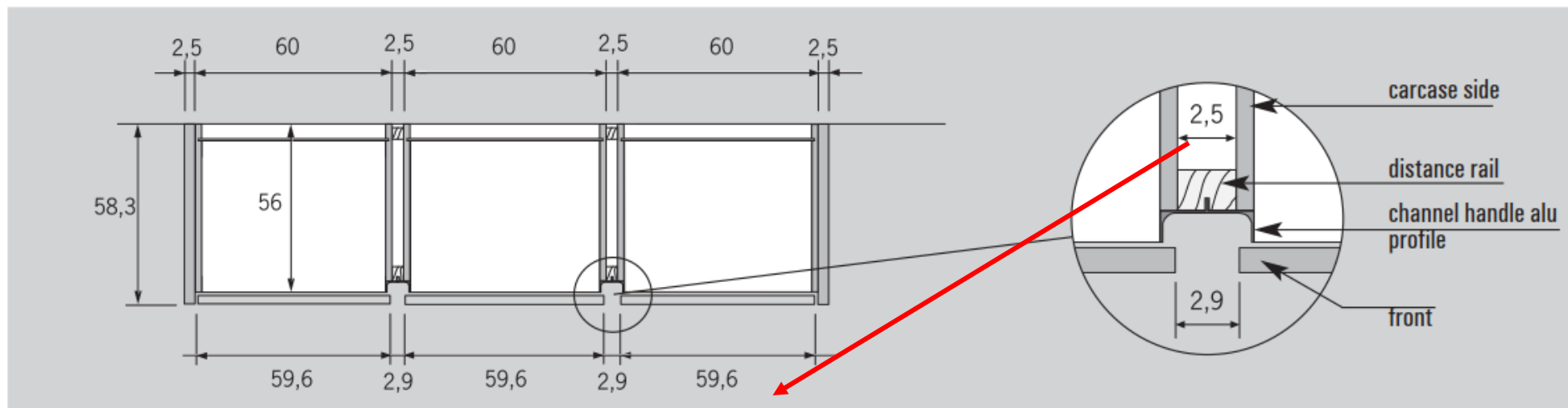
3. Front side panel

- Channel handle runs above the front side panel and e.g. around the cabinet/island

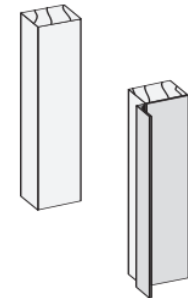


Planning and installation

planning size for tall units with vertical channel handle



- Channel handle requires **1 inch** of space between the cabinets
- Don't forget to order the channel handle (DK/DKS)
 - DK = central channel handle, between 2 cabinets
 - DKS = channel handle with wall end or towards a side panel
- Special channel handles (DKS999) required for special height solutions e.g. stacked cabinets



Planning and installation



Cut out for
vertical
channel handle

Vertical
channel
handle



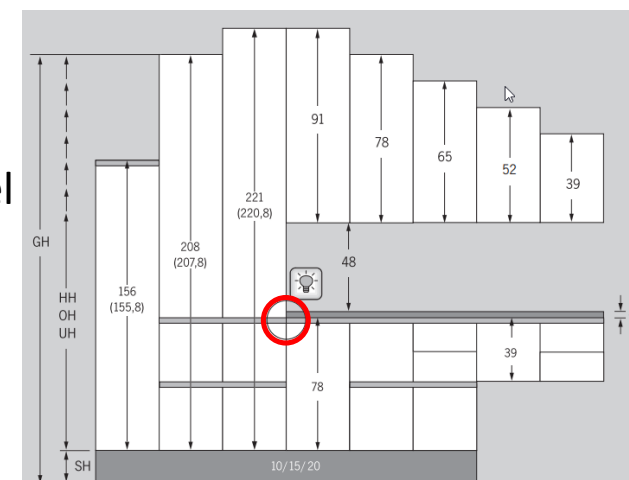
Do's:

- Vertical and horizontal channel handle must be separated by a gable end/side panel
- Continuous channel handle design
- End of row cabinets must be equipped with either visible sides or gable ends/panels
 - Restriction: visible box sides in depth 610mm / 24" are only available in box colors (crystal white, lava grey, light grey)



Dont's:

- Moulding doesn't correspond with the modern idea of SystematART
- Vertical and horizontal channel handle should not clash
- Horizontal C-shaped channel should not run against L-shaped channel handle
 - A side panel needs to be planned next to the base units if this is not desired



4. oneLine

Häcker
kitchen.germanMade.

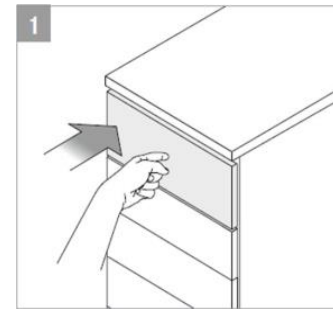




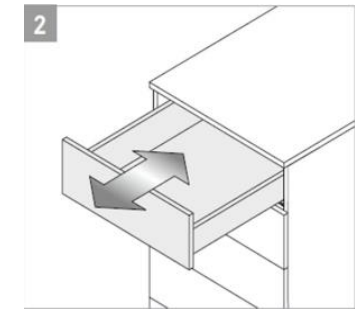
Tipmatic Softclose (MP-TMSC)

- for drawers and pull-outs
- factory-mounted mechanic opening assistance

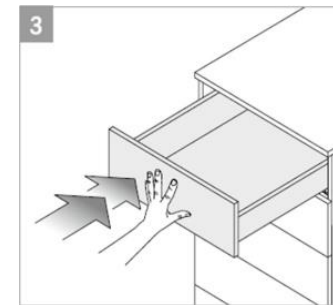
Release



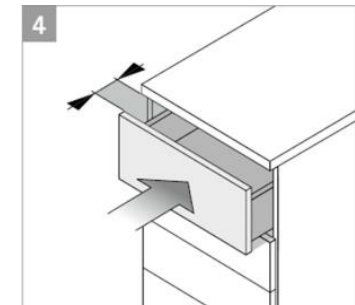
Opening



Span



Self-closing

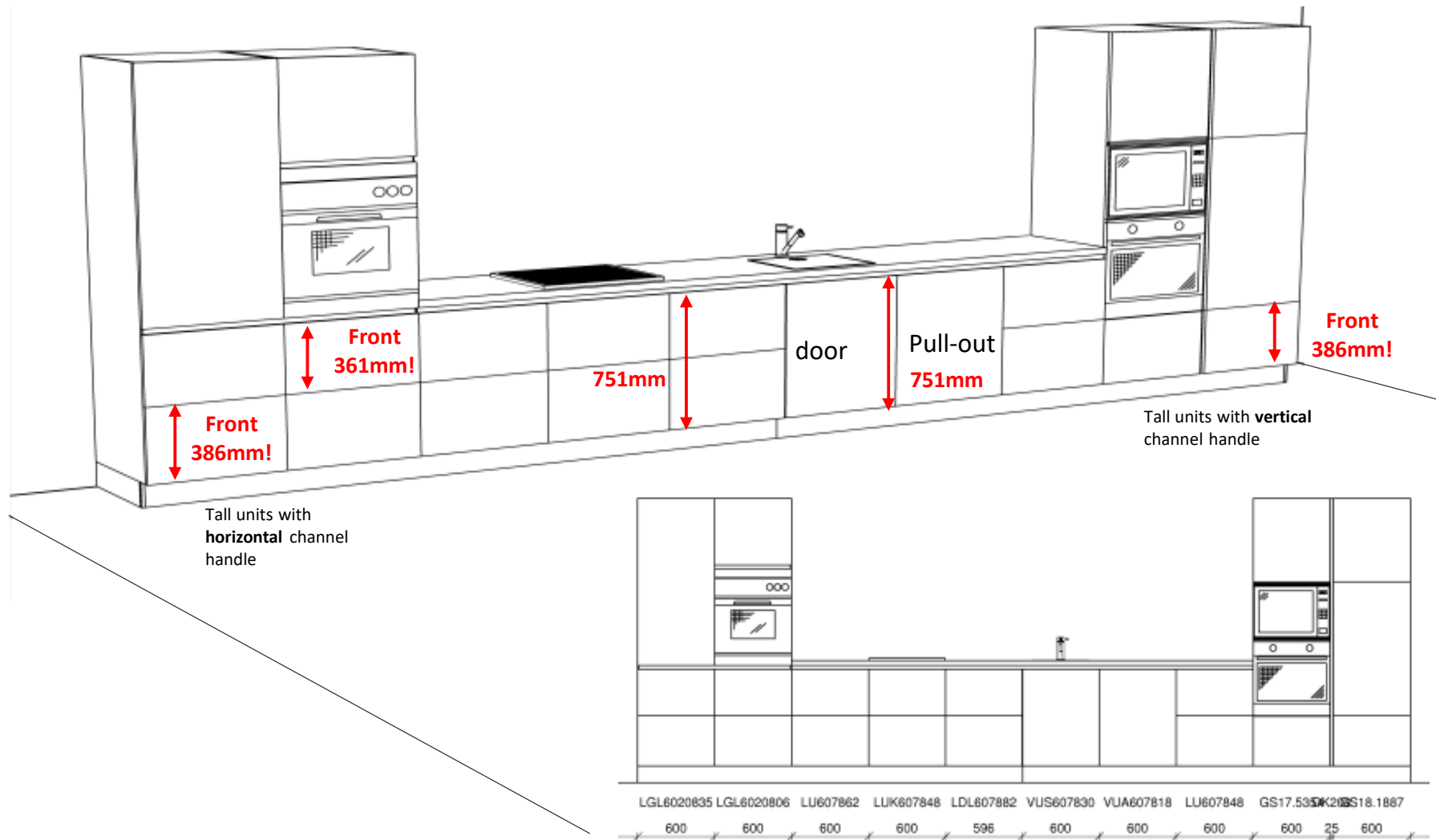


Restrictions

Not available:

- in combination with waste system in pull-out frame
- in combination with side stabilizer
- for internal drawers resp. pull-outs
- for XL-drawer for oven cabinet
- for drawers and pull-outs in custom width (this includes inch width cabinets)
- for pull-out table

oneLine planning example



Open discussion & questions



Thank you for your attention

