

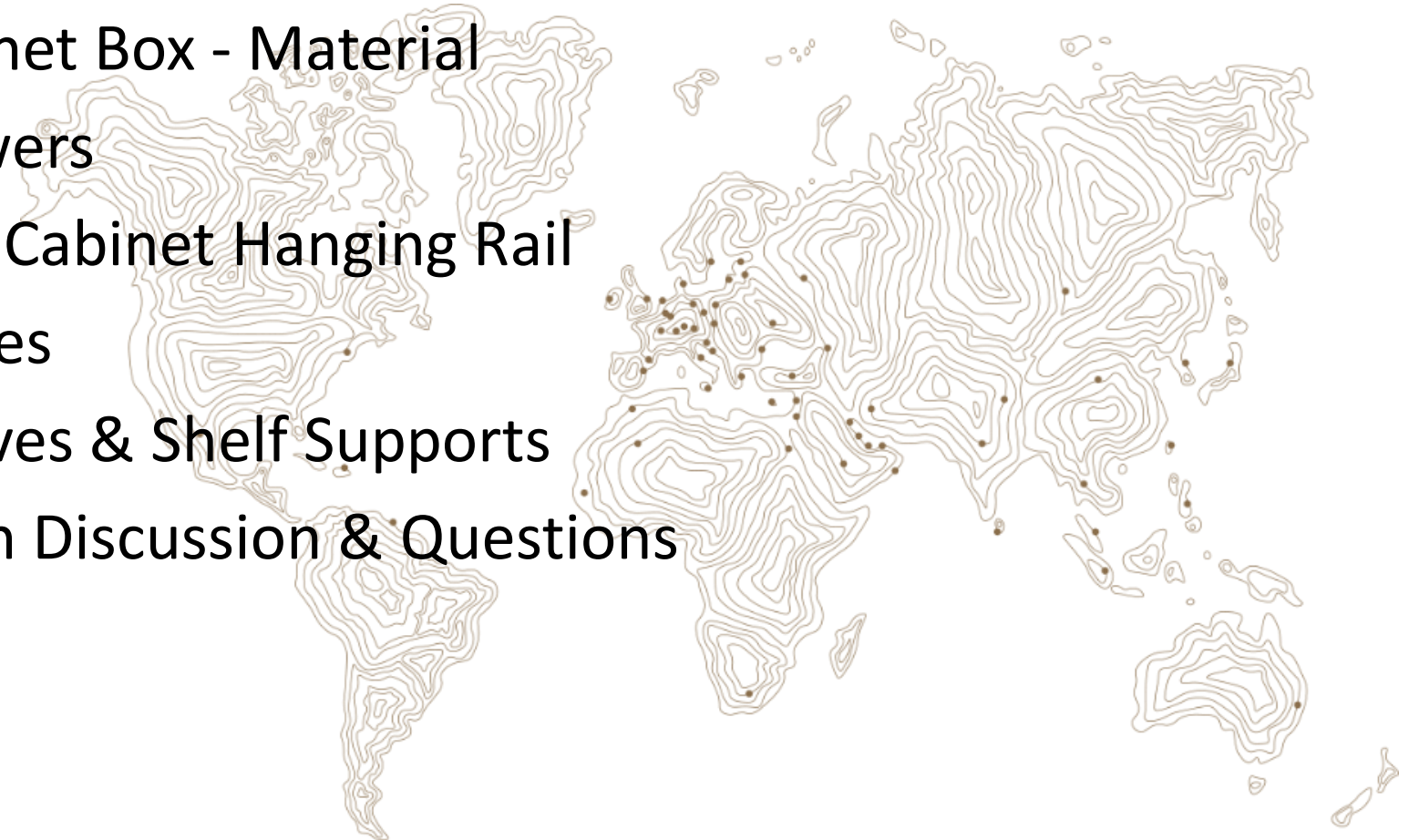
Häcker
kitchen.germanMade.

Cabinet Construction



Training content

1. Cabinet Box - Construction
2. Cabinet Box - Material
3. Drawers
4. Wall Cabinet Hanging Rail
5. Hinges
6. Shelves & Shelf Supports
7. Open Discussion & Questions

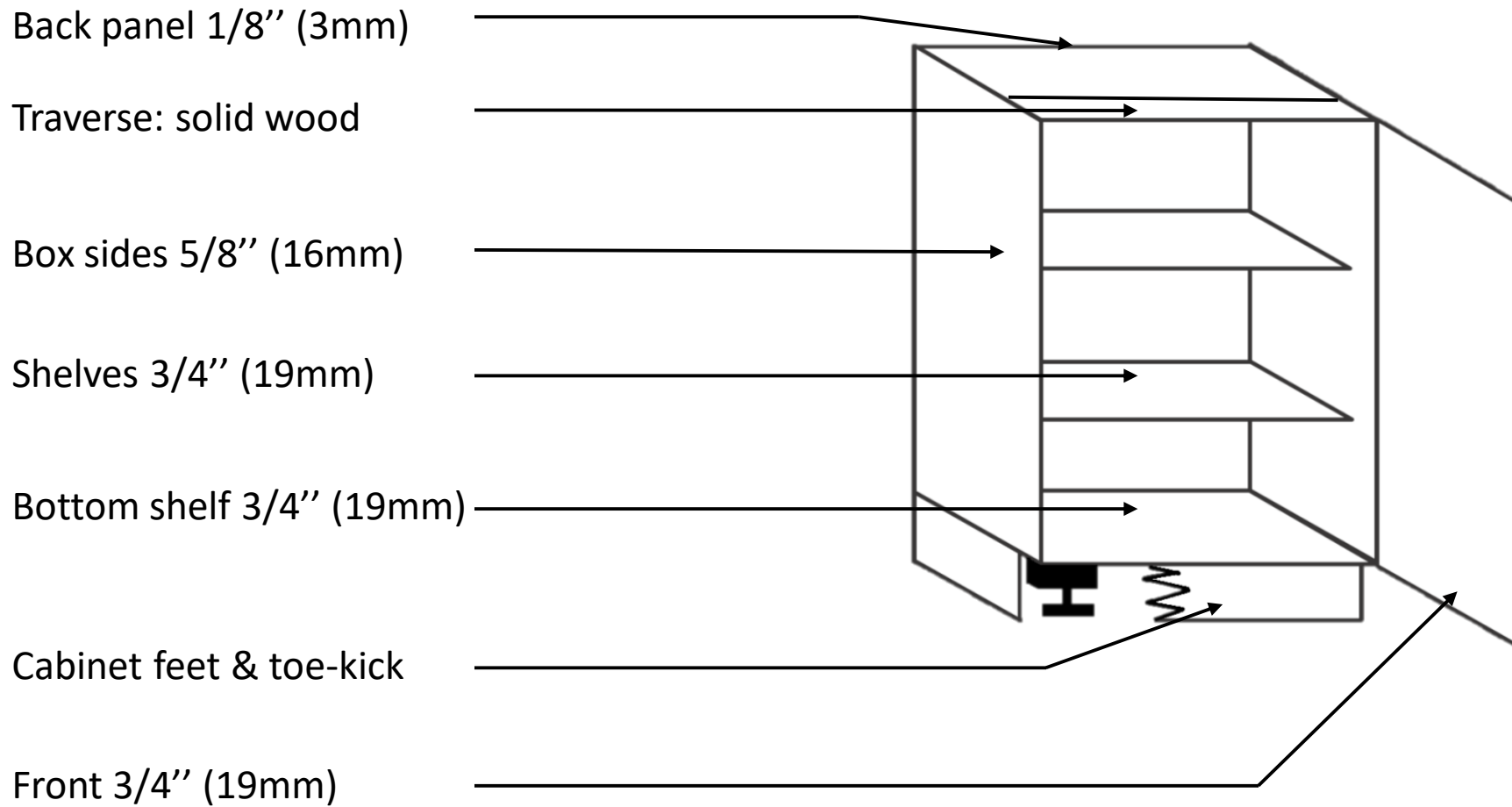


Cabinet Box - Construction

Häcker
kitchen.german Made.

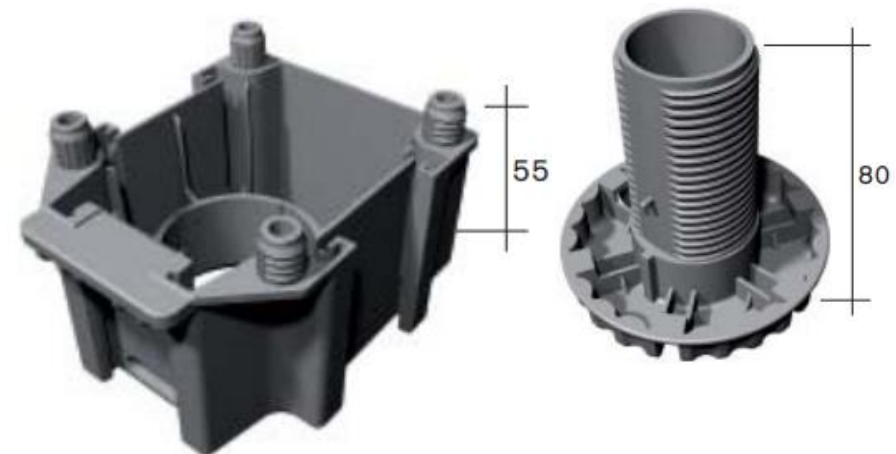
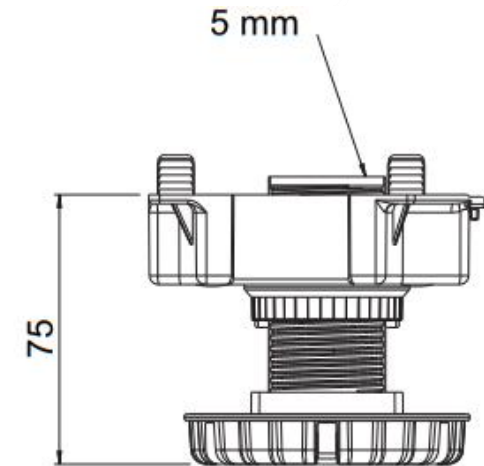


Version 10/2022



Toe-Kick

- Standard 3 15/16" (10cm)
- Adjustable +/- 0.8" (2cm)
- Minimum height is 3.15" (8cm)
- Recessed 1.9" (49mm) from front of box
- Usually cabinets have 4 feet
- Cabinets smaller than 7 7/8" (20cm) only have two cabinet feet on the side with the hinges
- Cabinets starting at 31 1/2" (80cm) have an additional foot in the front center





Materials

- Boxes are made from particle board (engineered wood)
- Boards are produced from high quality, peeled conifer wood, processed into dried, very fine fibers
- These fibers are compressed with ecologically compatible adhesive varnishes

Benefits

- No warping or bending
- No cracking (real wood expands and contracts with changes in temperature and humidity)
- Better water resistance
- Smooth surface
→ no knots when lacquered or laminate coated
- Requires less maintenance than real wood
- Easier to clean
- Easier to customize (can be cut and drilled in many different ways without damaging it)

Drawers

Häcker
kitchen.germanMade.



Version 10/2022

Slim Line Drawer

- Has to be specifically ordered
- 8mm (5/16") drawer boxes

SLD box (82)



Surcharge for pull-out SLD
MP-SBOX

SLD Glas 8 mm thick (83)



Surcharge for pull-out SLD Glas
MP-SAZGLAS

SLD Glas LED, 8 mm thick (87)

NEW



Surcharge for pull-out SLD Glas LED
MP-SAZGLASLED Not available for internal pull-outs

The glass sides are provided with LED-lighting.
There is no need to order the surcharge ME-GLAS additionally.
Delivery without batteries.

Metro

- Metro Box is standard
- 16mm (5/8") drawer boxes

Metro box R (72)



pull-out without surcharge

Metro Glas R, 8 mm thick (73)



Surcharge for pull-out Metro Glas
MP-GLAS

Metro Glas R LED, 8 mm thick (77)



Surcharge for pull-out Metro Glas R LED
MP-AZLED

The glass sides are provided with LED-lighting.
There is no need to order the surcharge ME-GLAS additionally.
Delivery without batteries.

Wall Cabinet Hanging Rail

Häcker
kitchen.german Made.



Technique

- Wall hanging rail needs to be fixed to the wall
- Full metal suspension attached to the back of the cabinet is mounted onto the hanging rail

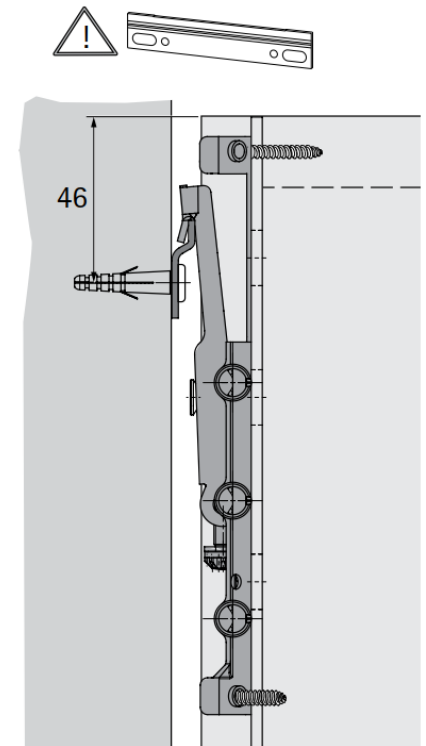
Advantages

- Easy to install & easy to replace
- Suspension is adjustable from the inside of the cabinet in three ways (vertical, horizontal & the tilting angle)

→ Perfect for uneven walls

Limitations

- Max. depth of cabinet 13 3/4" (35cm)



Shelves & Shelf Supports

Häcker
kitchen.germanMade.



Version 10/2022



Durability of shelves:

50kg per 1m² → 110lb per 10.8 sqft

Shelves are adjustable individually via a row of holes inside the cabinet

Row of holes is not continuous but that can be ordered (MP-DULO)



Hinges

Häcker
kitchen.germanMade.



Version 10/2022



Hinges can be adjusted in three dimensions:

- Up and down
- Left and right
- Tilting angle

Installation and disassembling of doors is quick and easy and requires no tools

Long life expectancy (approx. 80,000 cycles)

Open discussion & questions



Thank you for your attention

